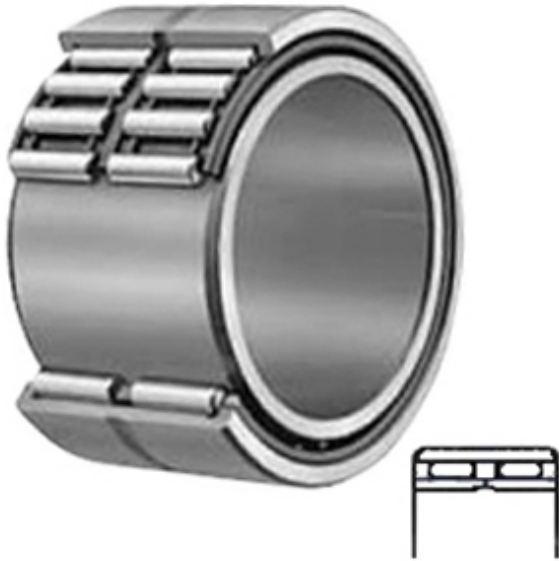




## Cqd y Cia. Ltda. - Ovalle



NAO-65 X 95 X 60 Bearing 2D drawings and 3D CAD models

### CONSOLIDATED BEARING NAO-65 X 95 X 60 Needle Non Thrust Roller Bearings

Bearing No. NAO-65 X 95 X 60

Category	Needle Non Thrust Roller Bearings
Inventory	0.0
Manufacturer Name	CONSOLIDATED BEARING
Minimum Buy Quantity	N/A
Weight	1.5
EAN	0644075079990
Product Group	B04144
Rolling Element	Needle Roller Bearing
Component	Complete with Outer and Inner Ring
Enclosure	Open
Self Aligning	No
Retainer	Yes
Number of Rows of Rollers	Double Row
Separable	Inner/Outer Ring - Both Sides
Closed End	No
Inch - Metric	Metric
Relubricatable	Yes
Thrust Bearing	No
Long Description	65MM Bore; 95MM Outside Diameter; 60MM Width; Needle Roller Bearing; Complete with Outer and Inner Ring; Open Enclosure; No Self



## Cqd y Cia. Ltda. - Ovalle

	Aligning; Retainer; Double Row of Rollers; Inner/Outer Ring - Both Side
Other Features	Plain Inner Ring   Plain Outer Ring   Oil Hole in Outer Ring
Category	Needle Non Thrust Roller Bearing
UNSPSC	31171512
Harmonized Tariff Code	8482.40.00.00
Noun	Bearing
Keyword String	Needle
Manufacturer URL	<a href="http://www.consbrgs.com">http://www.consbrgs.com</a>
Manufacturer Item Number	NAO-65 X 95 X 60
Weight / LBS	3.31
d	2.559 Inch   65 Millimeter
D	3.74 Inch   95 Millimeter
B	2.362 Inch   60 Millimeter